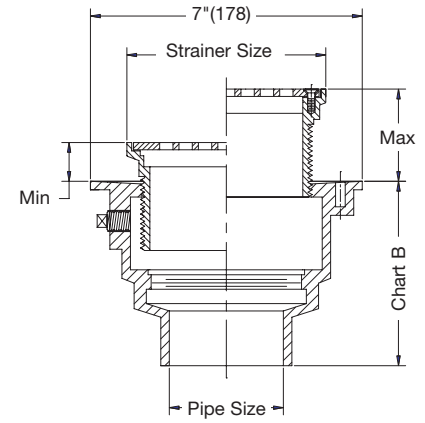


# On-Grade Floor Drains with Stainless Steel Strainers

## FD-1200-A Floor Drain with Heavy Duty Round Stainless Steel Strainer



| Model Number   | Weight (lbs.) | Str. Size | Pipe Size | Strainer        | List Price |
|----------------|---------------|-----------|-----------|-----------------|------------|
| FD-1202,3,4-A5 | 8             | 5"        | 2,3,4"    | stainless steel | \$538.00   |
| FD-1202,3,4-A6 | 9.5           | 6"        | 2,3,4"    | stainless steel | 649.00     |
| FD-1202,3,4-A8 | 16            | 8"        | 2,3,4"    | stainless steel | 910.00     |



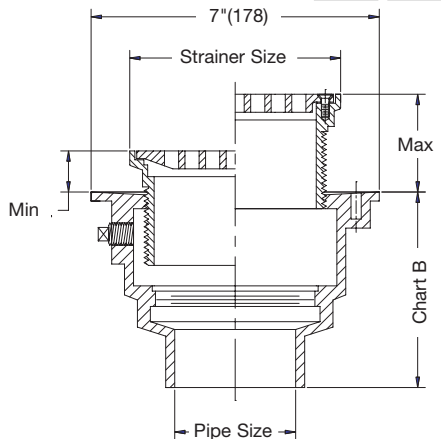
| Str. Dia. | Min.  | Max.   |
|-----------|-------|--------|
| 5"        | 7/16" | 2 1/4" |
| 6"        | 5/8"  | 2 1/4" |
| 8"        | 3/4"  | 2 3/4" |

| Pipe Size | No Hub | Push On | PVC/ABS |
|-----------|--------|---------|---------|
| 2"        | 4 3/4" | 5 1/2"  | 4"      |
| 3"        | 4 3/4" | 5 1/2"  | 4"      |
| 4"        | 4 3/4" | 5 1/2"  | 4"      |

## FD-1200-B Floor Drain with Heavy Duty Round Stainless Steel Strainer



| Model Number   | Weight (lbs.) | Str. Size | Pipe Size | Strainer        | List Price |
|----------------|---------------|-----------|-----------|-----------------|------------|
| FD-1202,3,4-B5 | 11            | 5"        | 2,3,4"    | stainless steel | \$748.00   |
| FD-1202,3,4-B6 | 12.5          | 6"        | 2,3,4"    | stainless steel | 854.00     |
| FD-1202,3,4-B8 | 16            | 8"        | 2,3,4"    | stainless steel | 1,112.00   |



| Str. Dia. | Min.  | Max.   |
|-----------|-------|--------|
| 5"        | 7/16" | 2 1/4" |
| 6"        | 5/8"  | 2 1/4" |
| 8"        | 3/4"  | 2 3/4" |

| Pipe Size | No Hub | Push On | PVC/ABS |
|-----------|--------|---------|---------|
| 2"        | 4 3/4" | 5 1/2"  | 4"      |
| 3"        | 4 3/4" | 5 1/2"  | 4"      |
| 4"        | 4 3/4" | 5 1/2"  | 4"      |

Note: Funnel are ordered separately. See page 63 for details.

### Options for FD-1200 Series:

| Suffix | Description                              | List Price | Suffix | Description                         | List Price |
|--------|------------------------------------------|------------|--------|-------------------------------------|------------|
| None   | No Hub                                   | No Add     | -28    | 304SS Body & Collar w/BW Connection | \$911.00   |
| P      | Push-On Outlet                           | No Add     | -60    | PVC Body w/Socket Outlet            | No Add     |
| X      | Inside Caulk                             | No Add     | -61    | ABS Body w/Socket Outlet            | No Add     |
| -5     | Sediment Bucket                          | \$108.00   | -F4-3  | 4" Round SS Funnel                  | 548.00     |
| -6     | Vandal Proof                             | 54.50      | -F4-50 | 4" Round Cast Iron Funnel           | 179.00     |
| -7     | Trap Primer Tapping                      | No Add     | -F4-1  | 4" Round Nickel Bronze Funnel       | 428.00     |
| -8     | Ball Float Backwater Valve (2,3,4" Only) | 377.50     | -F6-1  | 6" Round Nickel Bronze Funnel       | 625.50     |
| -13    | Galvanized Body                          | 195.50     | -G-50  | 4x9" Oval Cast Iron Funnel          | 423.00     |
| -15    | Strainer Extension (DD-50)               | 141.00     | -G-1   | 4x9" Oval Nickel Bronze Funnel      | 872.00     |